

**WATERCO**

water, the liquid of life

[www.waterco.com](http://www.waterco.com)

# MICRON FIBREGLASS FILTERS



**10**  
YEAR WARRANTY

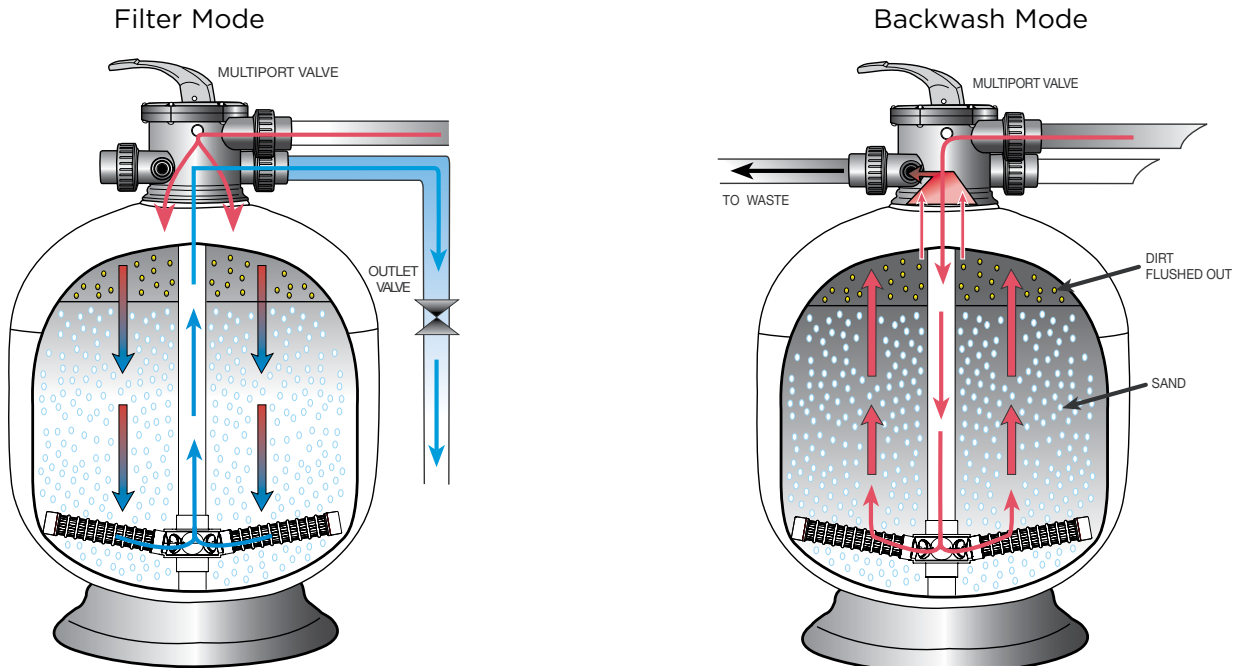


\*Micron 50mm Port ECO Range

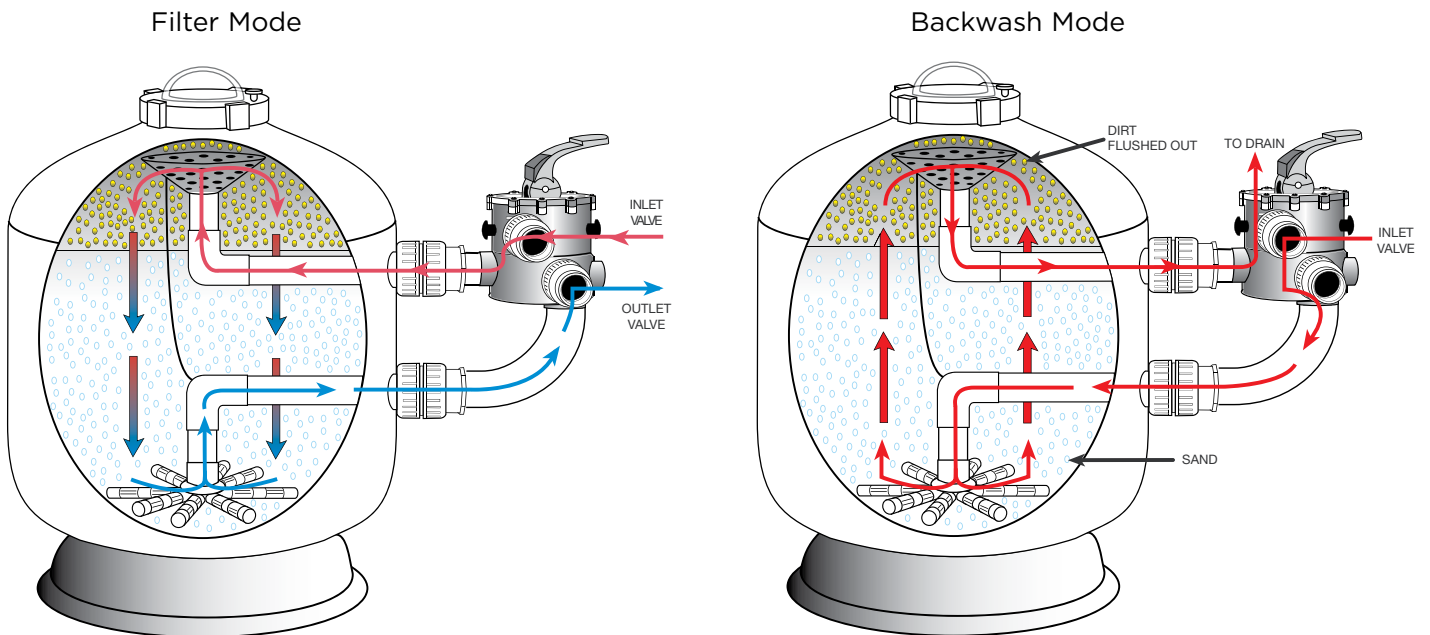
## Micron Fibreglass Filters

Micron filters operate on the basis of “depth filtration”; dirt is driven through the filter bed and trapped in minute spaces between the particles of filter media allowing the cleansed water to pass through the filter’s laterals and exit via the filter’s Multiport valve.

### Top Mount Configuration



### Side Mount Configuration



## Simple Maintenance

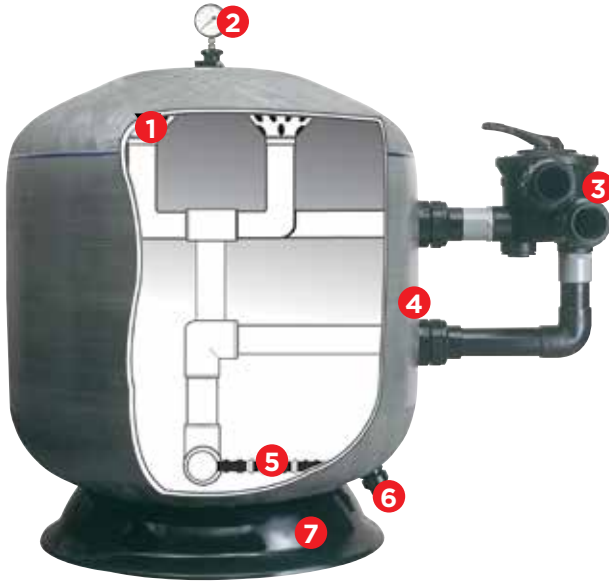
The effectiveness and efficiency of the filter is impaired by excessive build up of debris, clogging the media, which will result in pressure build up and poor circulation. Cleaning the filter simply requires turning the filter’s Multiport lever from the “filter” position to the “backwash” position, which reverses the flow of water in the filter, flushing the filter bed.

## Filament Wound Filters

Micron fibreglass filters embody the latest in fibreglass winding technology. Micron fibreglass vessels consist of an inner shell of fibreglass reinforced polyester resin wound over with fibreglass filament. Waterco's digitally controlled filament winding machine faultlessly winds continuous strands of high quality fibreglass filament under controlled tension filament to create a seamless one-piece vessel with refined consistency and superior quality. There are no welds or seams or special tank linings which can corrode or electrolyse.



## Waterco Micron Top and Sidemount Fibreglass Filters



Waterco Sidemount Fibreglass



Micron Top Mount Filters

\* *Optional manual drain*

1. Inflow diffuser for even distribution of water flow across the filter bed.
2. Pressure gauge.
3. Six position Multiport valve with sight glass and quick connect half unions.
4. Fibreglass wound tank, UV and Corrosion Resistant.
5. Hydraulically balanced laterals to maximise water flow and filtration.
6. Manual Drain\*
7. Large filter base for stable floor mounting.

- Working pressure 250 kPa (36 psi)
- Extra reinforcement to increase the working pressure rating to 400 kPa (58 psi) is available on request.
- Maximum working temperature of 50°C (122°F)

## Waterco Multiport Valves

Constructed from heavy duty ABS, Waterco Multiport valves are designed for maximum performance and working pressures. Waterco Multiport valves are engineered to withstand a working pressure of up to 400 kPa (58 psi) with a test pressure of 600 kPa (87 psi).



1. Metric or imperial quick connect unions.
2. Glass filled thermoplastic.
3. Durable lever action handle.
4. 6 way multiple valve positions.
5. High grade stainless steel components.
6. Pressure gauge.
7. Wear resistant rotor.
8. Clear sight glass for backwash inspection.

## Warranty

Micron Filters are covered by a 10-year tank warranty, 2-year multiport valve warranty and 1-year warranty on all other components.

Commercial installations are covered by a 5-year (1 year full + 4 years pro rata) tank warranty, 2-year multiport valve warranty and 1-year warranty on all other components.

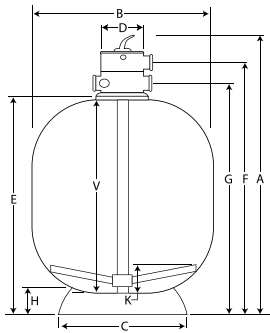
Please refer to Waterco's warranty terms and conditions



### Micron Top Mount Technical Specification

Filter Model	Valve Size (mm)	Inner Diameter (mm)	Filter Area (m <sup>2</sup> )	Bed Depth (mm)	Max. Flow (lpm)	Max. Pool Size** (litres)	Backwash flowrate (lpm)	Media Volume (litre)	Glass Pearl Media (kg)	Ecopure 0.815-1.5 (kg)	Sand 16/30 (kg)	Zeoplus 1-2.2 (kg)
S600	40	600	0.28	295	226	81,000	189	106	171	143	155	127
S602	50	600	0.28	295	226	81,000	189	106	171	143	155	127
S702	50	700	0.38	340	308	111,000	257	154	249	208	225	185
S800	50	800	0.50	420	402	145,000	335	233	376	315	340	279
S900	50	900	0.64	420	509	183,000	424	322	520	435	470	386

Residential flow rate based on a velocity of 48m<sup>3</sup>/hr/m<sup>2</sup>. Max. pool size is based on a 6 hr turnover.



### Micron Top Mount Dimension (mm)

Model	A	B	C	D	E	F	G	H	V	K
S600	968	622	540	180	721	832	778	88	620	136
S602	1085	622	540	180	721	832	778	88	620	136
S702	1072	723	620	220	722	892	792	90	652	122
S800	1157	810	620	220	807	977	877	90	713	111
S900	1234	910	620	220	884	1054	954	90	785	163



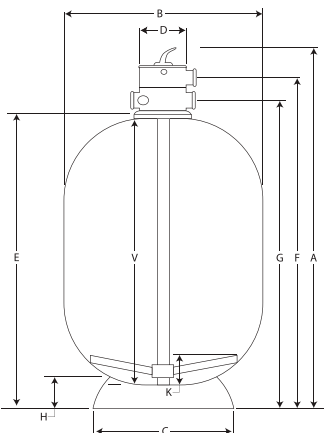
### Micron Top Mount Deep Bed Filter

Micron Deep Bed Filters are designed with a guaranteed filter bed depth of 500mm, providing enhanced in-depth filtration and increased dirt capacity.

### Micron Top Mount Deep Bed Technical Specification

Filter Model	Valve Size (mm)	Inner Diameter (mm)	Filter Area (m <sup>2</sup> )	Bed Depth (mm)	Max. Flow (lpm)	Max. Pool Size** (litres)	Backwash flowrate (lpm)	Media Volume (litre)	Glass Pearl Media (kg)	Ecopure 0.815-1.5 (kg)	Sand 16/30 (kg)	Zeoplus 1-2.2 (kg)
SD400	40	400	0.13	500	101	36,000	84	68	111	92	100	82
SD500	40	500	0.20	500	157	57,000	131	105	170	142	154	127
SD600	40	600	0.28	500	226	81,000	189	161	260	217	235	193
SD750	50	750	0.44	500	353	127,000	295	247	398	333	360	296
SD900	50	900	0.64	500	509	183,000	424	377	608	509	550	452

Residential flow rate based on a velocity of 48m<sup>3</sup>/hr/m<sup>2</sup>. Max. pool size is based on a 6 hr turnover.



### Micron Top Mount Deep Bed Dimension (mm)

Model	A	B	C	D	E	F	G	H	V	K
SD400	1220	405	356	160	953	1084	1005	61	846	57
SD500	1220	505	443	160	953	1084	1005	69	846	57
SD600	1220	624	540	160	953	1084	1005	88	828	69
SD750	1320	776	678	220	970	1140	1040	120	838	125
SD900	1372	910	678	220	1022	1192	1092	120	880	172



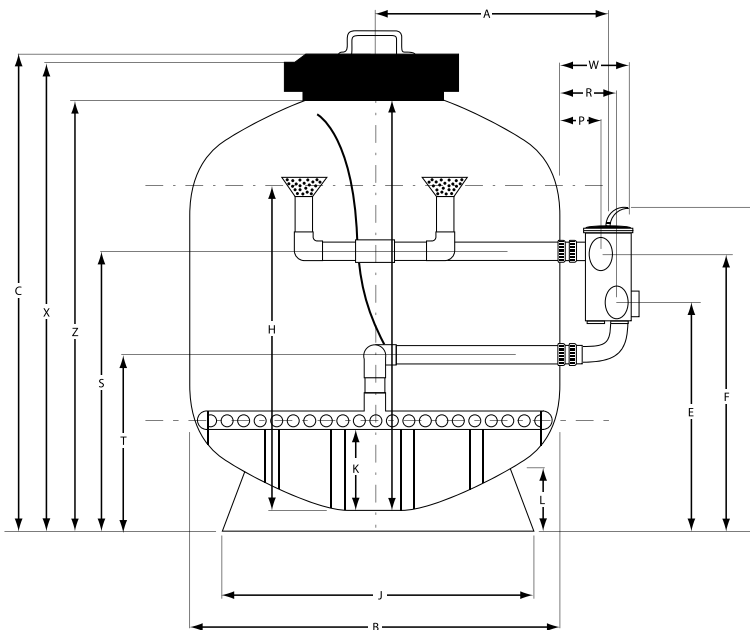
## Micron Side Mount Technical Specification

Filter Model	Valve Size (mm)	Inner Diameter (mm)	Filter Area (m <sup>2</sup> )	Bed Depth (mm)	Max. Flow (lpm)	Max. Pool Size** (litres)	Backwash flowrate (lpm)	Media Volume (litre)	Glass Pearl Media (kg)	Ecopure 0.815-1.5 (kg)	Sand 16/30 (kg)	Zeoplus 1-2.2 (kg)
SM600	40	600	0.28	360	226	81,000	189	113	183	153	165	136
SM750	50	750	0.44	400	353	127,000	295	195	315	263	285	234
SM900	50	900	0.64	440	509	183,000	424	301	487	406	440	362

*Residential flow rate based on a velocity of 48m<sup>3</sup>/hr/m<sup>2</sup>. Max. pool size is based on a 6 hr turnover.*

## Micron Side Mount Dimension (mm)

Model	A	B	C	W	R	P	E	F	K	V	H	L	X	Y	Z	J	S	T
SM600	526	622	906	306	249	171	520	574	105	690	601	87	873	718	800	484	520	317
SM750	613	772	976	334	262	191	541	643	113	763	652	90	943	800	870	620	541	337
SM900	689	923	1086	334	262	191	591	693	113	860	750	90	1053	850	980	620	591	387



## Warranty

Micron Filters	10 Years (conditional)	Commercial Installations	5 Years (conditional)
Filter Tank	10 Years	Filter Tank	5 Years (1 year full + 4 years pro rata)
Multi Port Valve	2 Year	Multi Port Valve	2 Year
Labour	1 Year	Other components	1 Year
Other components	1 Year		

*Please refer to Waterco's warranty terms and conditions*

## Waterco Limited

Established since 1981, Waterco is an Australian publicly listed company involved in the manufacture and distribution of swimming pool and spa equipment and chemicals, domestic water filters, softeners and purifiers, and commercial and industrial water treatment equipment.

Waterco's research and development team has created an innovative range of award-winning products. The company's advanced fibreglass winding and pioneering plastic moulding techniques have delivered premium quality products to over 40 countries via its branches operating in Australia, New Zealand, Malaysia, China, United Kingdom, United States of America, Canada, Indonesia and Singapore.

### OFFICES - AUSTRALIA

#### NSW - Sydney (Head Office)

Tel: +61 2 9898 8686

#### QLD - Brisbane

Tel: +61 7 3299 9900

#### VIC/TAS - Melbourne

Tel: +61 3 9764 1211

#### WA - Perth

Tel: +61 8 9273 1900

#### SA/NT - Adelaide

Tel: +61 8 8244 6000

#### ACT Distribution

Tel: +61 2 6280 6476

### OFFICES - OVERSEAS

#### Waterco (Europe) Limited

Sittingbourne, Kent, UK

Tel: +44 (0) 1795 521 733

#### Waterco (USA) Inc

Augusta, Georgia, USA

Tel: +1 706 793 7291

#### Waterco Canada

Boucherville, Qc, Canada

Tel: +1 450 748 1421

#### Waterco (NZ) Limited

Auckland, New Zealand

Tel: +64 9 525 7570

#### Waterco (C) Limited

Guangzhou, China

Tel: +86 20 3222 2180

#### PT Waterco Indonesia

Jakarta, Indonesia

Tel: +62 21 4585 1481

#### Waterco Singapore Intl Pte Ltd

Nehsons Building, Singapore

Tel: +65 6344 2378

#### Waterco (Far East) Sdn Bhd

Selangor, Malaysia

Tel: +60 3 6145 6000

Distributed by:

**WATERCO**  
water, the liquid of life



**SPASA**  
AUSTRALIAN MEMBER

In the interest of providing better quality and value we are constantly improving and updating our products. Consequently, pictures and information on our brochures may sometimes vary slightly from models available.

ZZB1271 07/22